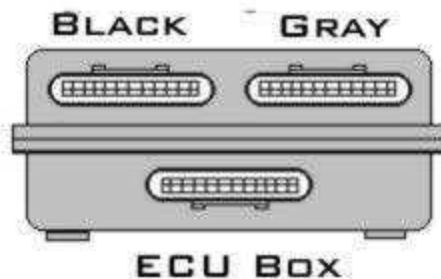


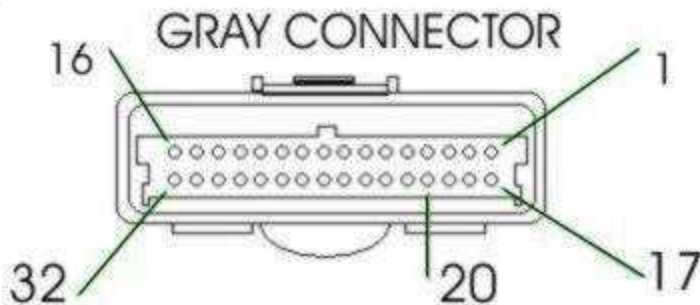


46421-1440 speed cable

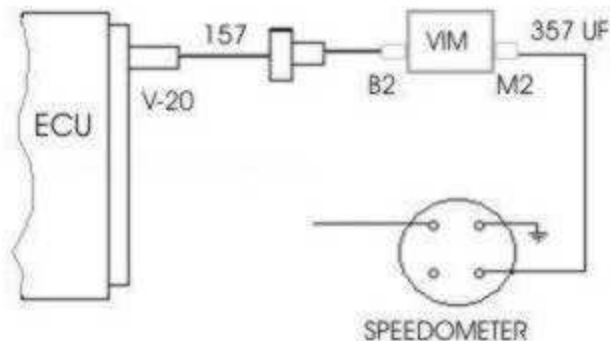
World Transmission



ECU Box



20 TAN WIRE 157-V20 VEHICAL SPEED VIM-B2
If PIN #20 is used, go to VIN #30 in Black connector



You need to place the pin (Red wire) in the Gray connector in pin 20, the black is shield grounded.