

ALLISON GROUP AND PACKAGE INFORMATION

Schematic as shown is for 4th Generation Electronic Controls only.

1000 AND 2000 PRODUCT FAMILIES

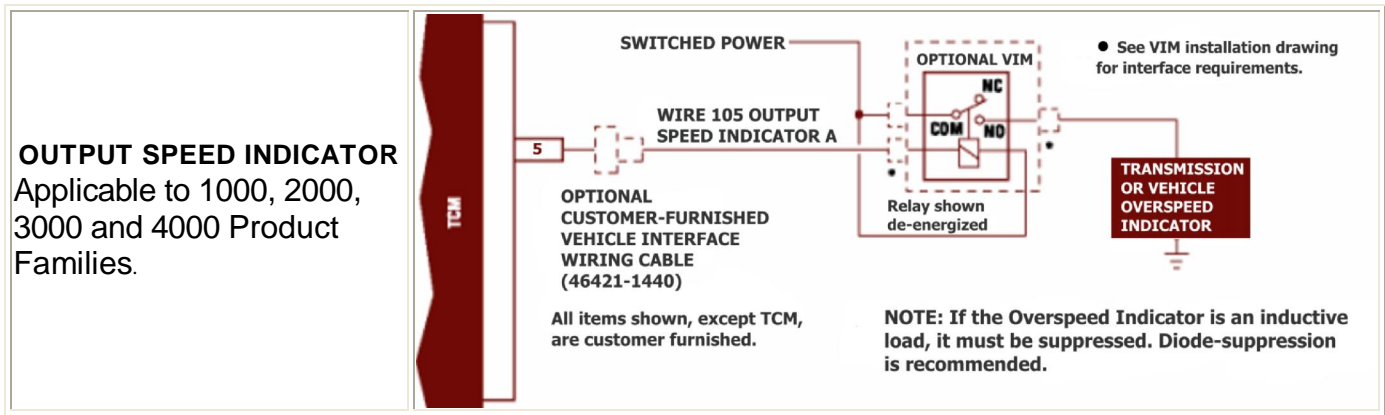
OUTPUT SPEED INDICATOR

Available and enabled in all North American Packages on Wire 105.

3000 AND 4000 PRODUCT FAMILIES

OUTPUT SPEED INDICATOR

Available and enabled in all North American Groups and Packages (except Group 113, Package 153) on Wire 105.



Part Number: 46421-1440

DICKEY-john

WORLD ALLISON SPEED
SENSOR

C.I.E. CHAMPION
INDUSTRIAL
EQUIPMENT

2855 Marleau Avenue, Suite A, Cornwall, Ontario K6H 7B6
Tel: 613 938-2900 Fax: 613 938-8219 1-800-267-9203
www.cie-eic.com